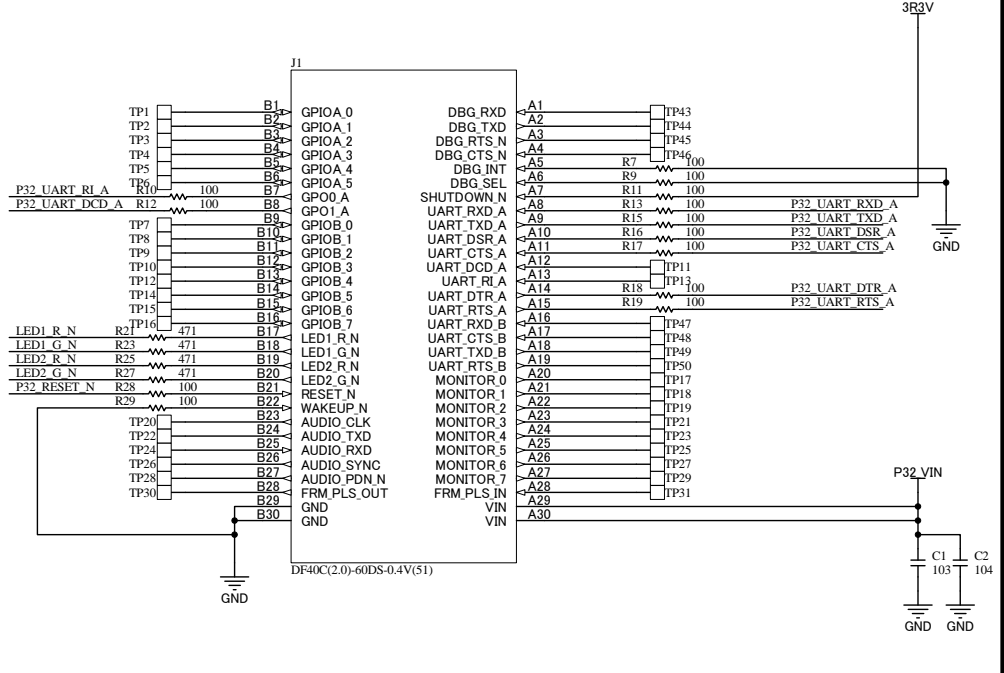
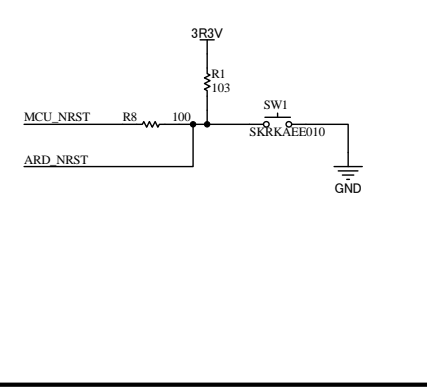


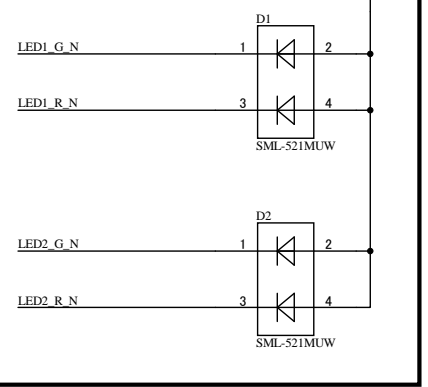
P32M CONNECTOR



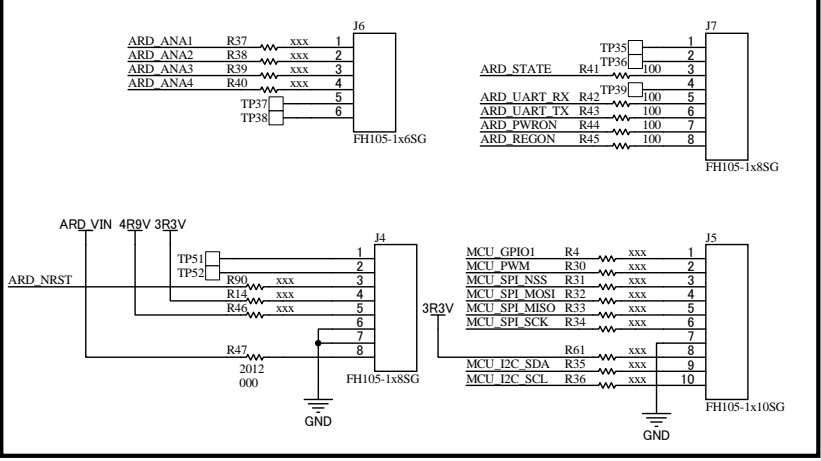
RESET

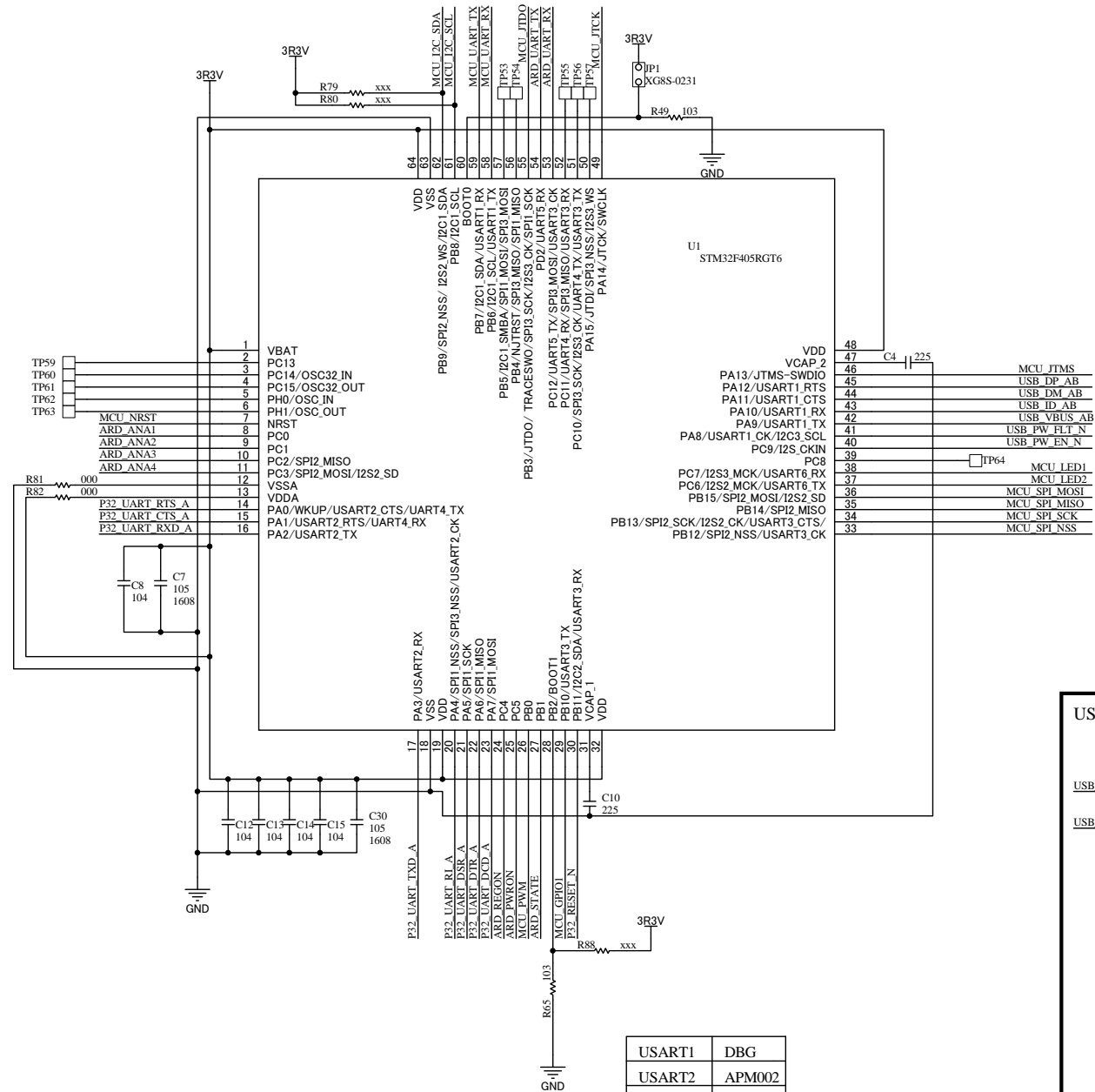


LED

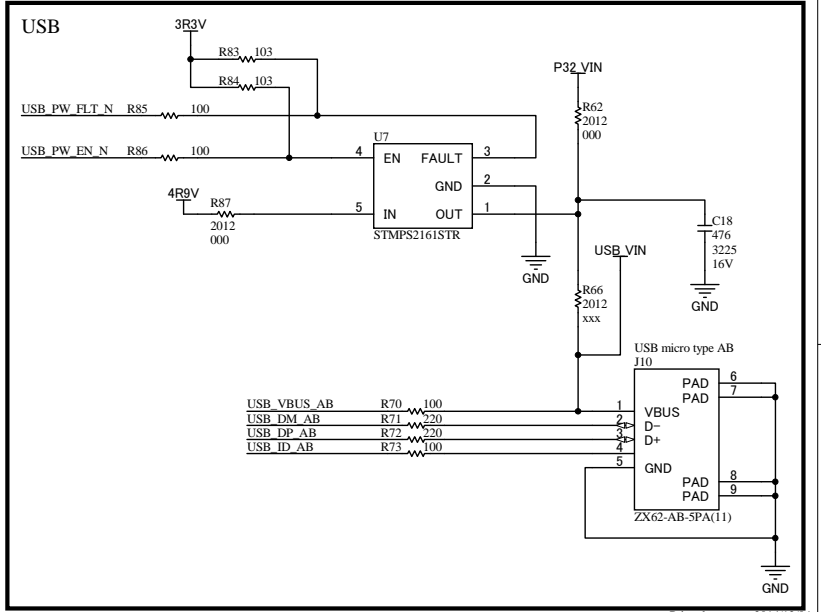
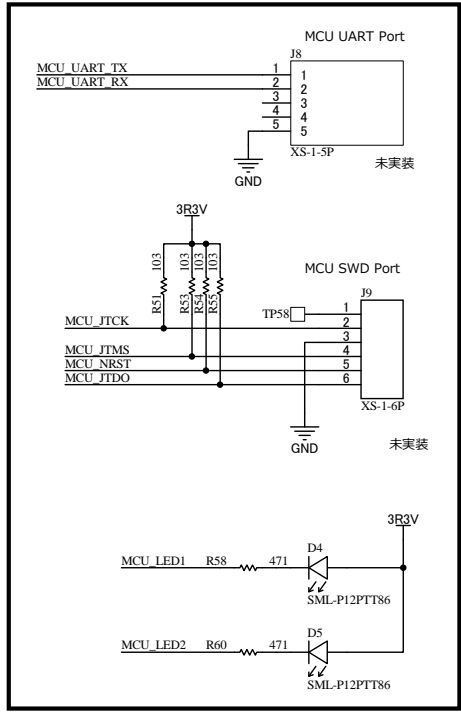


arduino connector



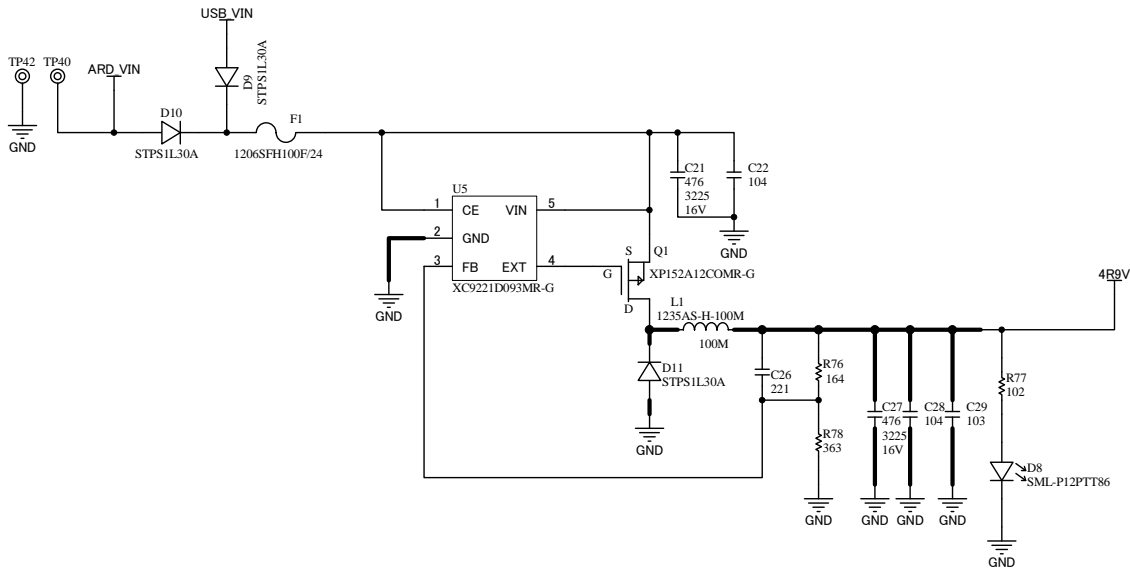


USART1	DBG
USART2	APM002
USART3	×
UART4	×
UART5	arduino
UART6	×



Printed: 2014/12/04

POWER 5.0V



POWER 3.3V

